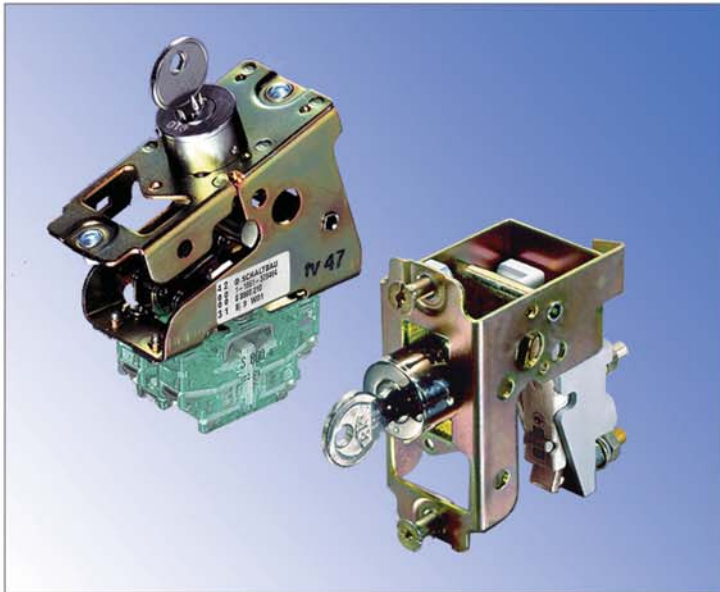


S126 AND S860 KEY OPERATED SWITCHES



S126 and S860 Key Operated Switches

Applications:

- > Plant and machinery

S126 keylock switches are designed to prevent unauthorised use of installations or vehicles, and for use as interlock safety switches of control panels and consoles.

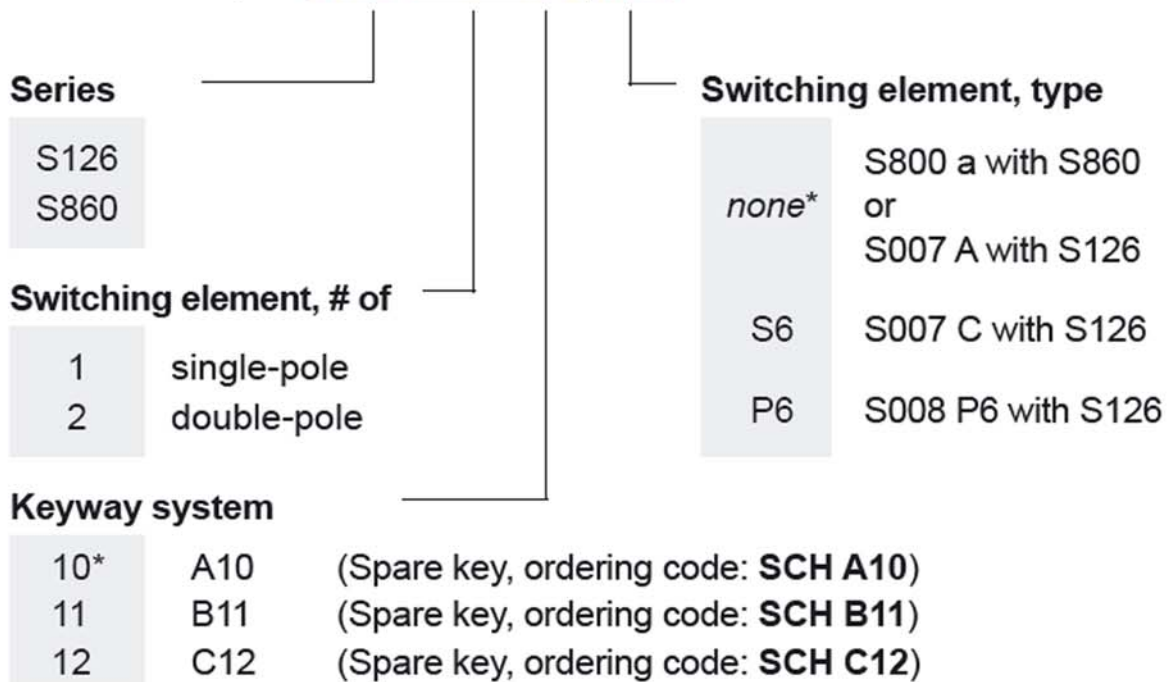
They are available in single and double-pole configurations. Double-pole keylock switches feature switching elements of the same type. The locking cylinder functions both as actuator and interlock. There is a fixed detent position for ON and OFF with key removal only in the OFF position (when contacts are open). Our keylock switches are fitted with a standard locking cylinder and keyway system. However, the cylinder is also available with two alternative keyway systems. Normally these keylock switches are fitted with a standard locking cylinder and keyway system. However, the cylinder is also available with two alternative keyway systems.

Series	S126			S860
Conventional thermal current I_{th}	25 A	60 A	60 A	10 A
Rated insulation voltage U_i	400 V			400 V
Rated impulse withstand voltage U_{imp}	4 kV			4 kV3
Pollution degree	PD3			PD3
Switching element	S007 A	S007 C	S008 P6	S800 a
Blowout	---	---	permanent-magnetic	---
For detailed information about switching elements refer to our	catalogue D30e			catalogue D20e
Degree of protection, EN 60529	IP00			Screw-type terminals: IP00 Contacts: dustproof
Terminals	screw-type M5	screw-type M6	screw-type M6	screw-type M3 with saddle clamp for 2 wires, AWG size 18 ... 13 (0.75 ... 2.5 mm ²)
Weight	single-pole: 0.25 kg double-pole: 0.30 kg			single-pole: 0.26 kg double-pole: 0.30 kg

© SCHACTRAU

S126 & S860 ORDERING CODE

Example: **S126 1 - 10 /P6**



* Default

Please apply to us for cross reference information if you need to identify contactors with old numbers prefixed 'S'